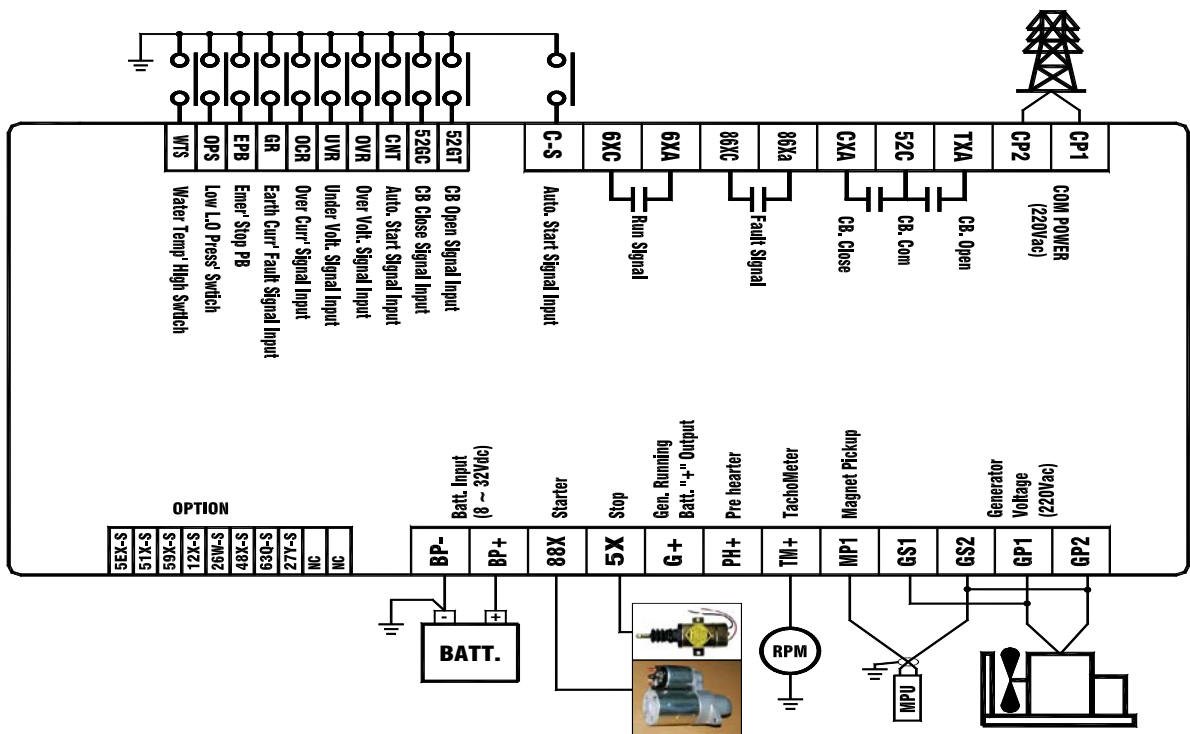
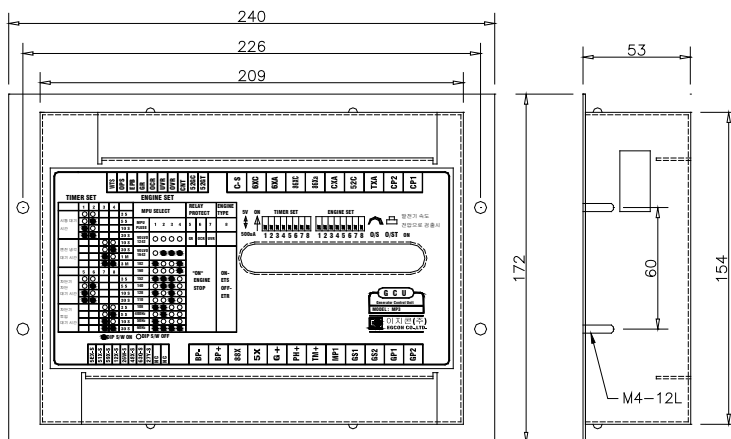


Connection Circuit



Dimension(mm)



Miscellaneous

- Operating Temperature(°C) : -20~60
- Weight(kg) : 1.5
- Material of Case : Steel
- Connecting Terminal : 250 Slip on
- Communication Protocol : MODBUS RTU
- Accuracy of Measurement(RMS) : ±1.0%
- Contact Capacity of Start/Stop : 30A
- Contact Capacity of ACB Control : 10A



Engine generator control enterprise
EGCON CO., LTD

Tel : 82-32-677-9806
 Fax : 82-32-677-9807
 Email : sales@egcon.co.kr
 Web : www.egcon.o.kr