

Introduction:

GU315a is a kind of automatic controller of generator, It can modify the control procedure and protection parameters of the generator, can fully satisfied the automatic start-up and stop controlling and protection requirement of the generator sets.

The LED indicator of the controller indicates the controlling status and running status of the generator sets. LED digital tube display relative measured parameter.

The Controller has three running mode: Auto./Man./Test. The keys on the control panel are used to select the control mode.

The controller measure and display the output 3-Phase Voltage (Line Voltage), Frequency , DC source voltage, running time of the generator sets. All of the voltage measured in real virtual value to ensure the accuracy of the data.

The controller is integrated closely by aluminum alloy panel and steel shell which has been spurt powder. All connection of the controller are connected by pin-like terminal with lock, such device can be connected、 moved 、 maintained and replaced easily and conveniently.

Measuring and Data display:

3-Phase Voltage: **L1-N,L2-N,L3-N**

Frequency: **HZ**

Battery Voltage: **DCV**

Gen.Running Time: **HOOR**

Panel Button:

AUTO key (Auto-operation Mode)

MAN Key (Manual-operation Mode)

TEST Key (Test Running Mode)

START Key (Start-up Button)

STOP/RESET (Stop/ Fault Reset Button)

L.TEST/MUTE (Lamp Test/Mute Button)

▶ Key (Parameter Setting)

▼ Key (Menu Scroll Down/Value Degression)

▲ Key (Menu Scroll Up/Value Increase)

Panel LED Indicator:

Charge Fail

Fail To Start

Low Oil Pressure

High Temperature

Overspeed

Emergency Stop

Auto-operation Mode Indicator

Maunal-operation Mode Indicator

Test Running Mode Indicator

Gen.Start-up Indicator
Stop/Stop Fault Indicator
Mute Indicator
Voltage Fault Indicator
Low Frequency Fault Indicator

Fault Alarm and Stop:

Charge Fault Alarm
High Voltage Alarm
Low Voltage Alarm
Low Frequency Alarm
Fault To Start
Low Oil Pressure Fault
High Temperature Fault
Overspeed Fault
E.Stop
Fault To Stop

Control Relay Output:

Gun Control Output
Start-up Control Output
DC Charger Excited Output
Gen.Normal Running
Gen.Fault

Switch Input :

Genset Remote Control Start-up Signal
E-Stop Signal
High Temperature Signal
Low Oil Pressure Signal

Running Parameter Configuration:

Fuel mode 0(NC) 1 (NO)
Start delay (0~300 sec)
Start-up times (1~10s)
Crank time (0~30sec)
Crank reset (0~300sec)
Crank disconnect (20~1000RPM)
Safety-on delay (1~600sec)
Cooling delay (1~600sec)
Low Battery Alarm (0-32V)
Low Voltage Alarm (A265-380V)
High Voltage Alarm (AC380-495V)
Low Frequency Alarm (45-60HZ)
Over Speed Fault (1000-2000RPM)
Fault to Stop delay time (1~600sec)

Other Parameters:

DC Source

Voltage Range: 8~35V Serial

Consume Current: @12V 0.2A , @24V 0.1A

Standby Consume Current: @12V 70mA, @24V 40ma

AC input Voltage: Phase Voltage 10~300Vac RMS

AC input Frequency: 3~70HZ

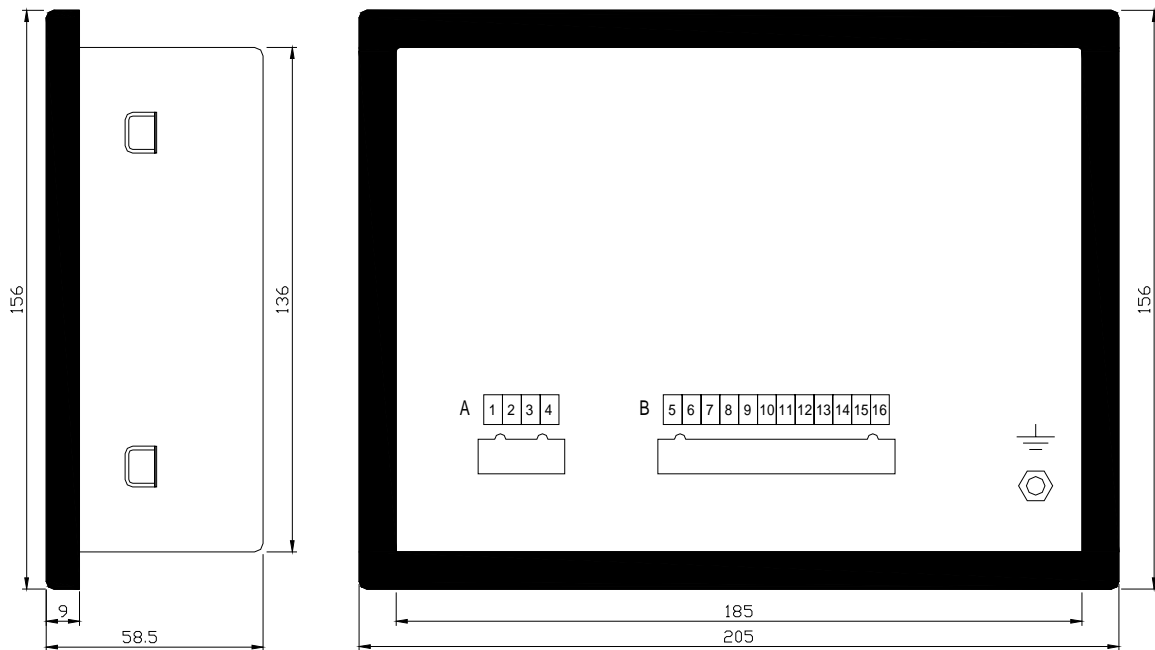
Gun/Start control relay output: 16A/30VDC

A.S Relay Output: 3A/30VDC

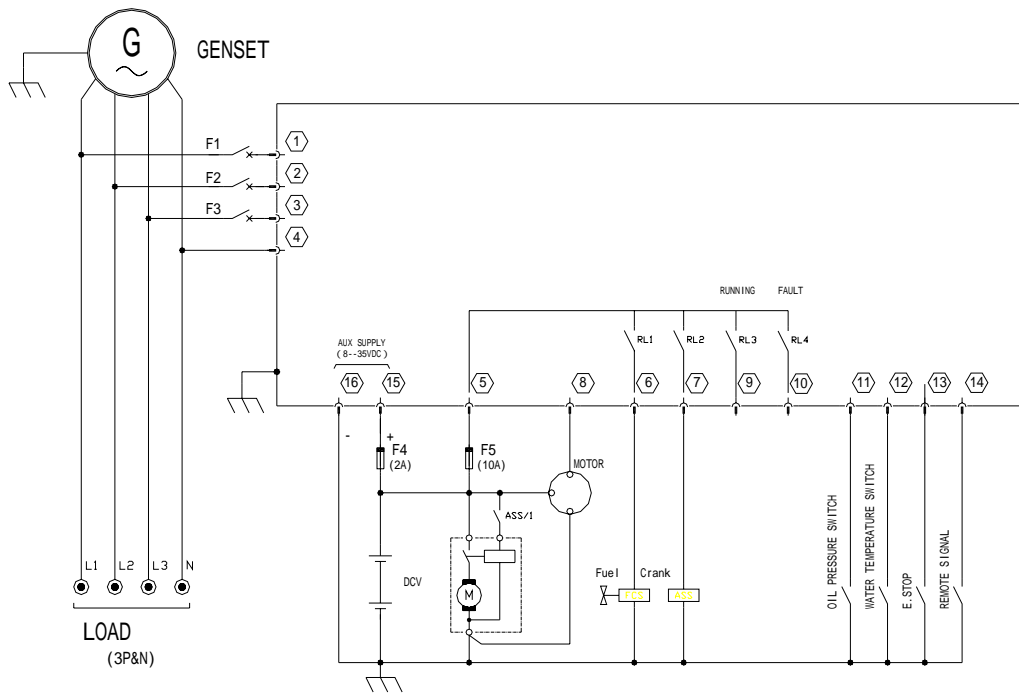
Ambient temperature: -20~70

Shape Dimension :

Control Panel	W205mm × H156mm
Hatch For Installation	W186m × H137m
Thickness	D58.5mm (unconnected)



Typical Connection :



NOTE: CATHODE OF THE BATTERY AND SHELL OF THE CONTROLLER MUST BE GROUNDED PROPERLY!