

## DESCRIPTION

The module GTR 10 is a reasonable pricing Generator controller equipped with Remote Start functions, protections, alarm and annunciation etc... Monitoring and protections include: Running, Over Speed, High Water Temperature, Low Oil Pressure, Over Crank, Emergency Stop, and Low Battery.

All outputs function executed by a set of traditional relays which make it possible to support heavy power handling capability. It designed to control engine by Remote start. Furthermore, GTR-10 has 10 pins Dip switch for adjusting parameter according to system requirements, and make it not only reducing stock but also meeting the various system specifications. GTR-10 is your best choice.

## Panel

### ◆ LED

- Emergency/ Auxiliary Shutdown
- Low Battery Warning
- Over Speed Shutdown
- High Water Temperature Shutdown
- Low Oil Pressure Shutdown
- Over Crank
- Run
- Power

## Dip switch settings function

1. Pin1 & pin2: Valve on stop engine delay

Pin1	Pin2	Valve on stop engine delay
OFF	OFF	5 sec
ON	OFF	10sec
OFF	ON	15sec
ON	ON	20sec

2. Pin3: System frequency ON : 50 Hz  
OFF: 60 Hz
3. Pin4: Escape motor by oil pressure switch  
ON : Enable  
OFF: Disable
4. Pin5: Pressure switch type ON : Normal Close  
OFF: Normal Open
5. Pin6: Idle / Pre-heat output delay time  
Idle delay time ON : 120 sec.  
OFF: 10 sec.  
Pre-heat delay time ON : 10 sec.  
OFF: 1 sec.
6. Pin7: Low DC Volt ON : 10.5 Volt.  
OFF: 21 Volt.



7. Pin8 & pin9 : Cooling time

Pin8	Pin9	Cooling time
OFF	OFF	0 sec
ON	OFF	60 sec
OFF	ON	150 sec
ON	ON	300 sec

8. Pin 10: Idle / Pre-heat Function Select

ON :Idle  
OFF:Pre-heat

## Protections and parameters

- ◆ Auxiliary shutdown protection: 1 sec., N.C
- ◆ Low battery warning: 5sec., 10.5 / 21 VDC
- ◆ Over speed protection: 2sec., 55/66 Hz
- ◆ High water temp. protection: 2 sec., N.O
- ◆ Low oil press. Protection: 2 sec., N.C/N.O
- ◆ Over crank: 3 attempts
- ◆ Cranking speed up limited: 0.5sec., 16 Hz
- ◆ Protection hold-off timer: 5 sec.

## Specifications

### **DC Supply:**

DC 8~36 V

### **Power consumption:**

Max: 5 W

### **Measuring Frequency:**

0~80 Hz (min AC. Volt: 25 V. max AC Volt: 300 V)

### **Relay Output:**

Start output : 5A

Valve output : 5A

Idle / Pre-heat output : 5A

Alarm output : 5A

Stop output : 5A

### **Dimension (W\*H\*D):**

72 mm x 72 mm x 58 mm

### **Panel cut-out (W\*H):**

68 mm x 68 mm

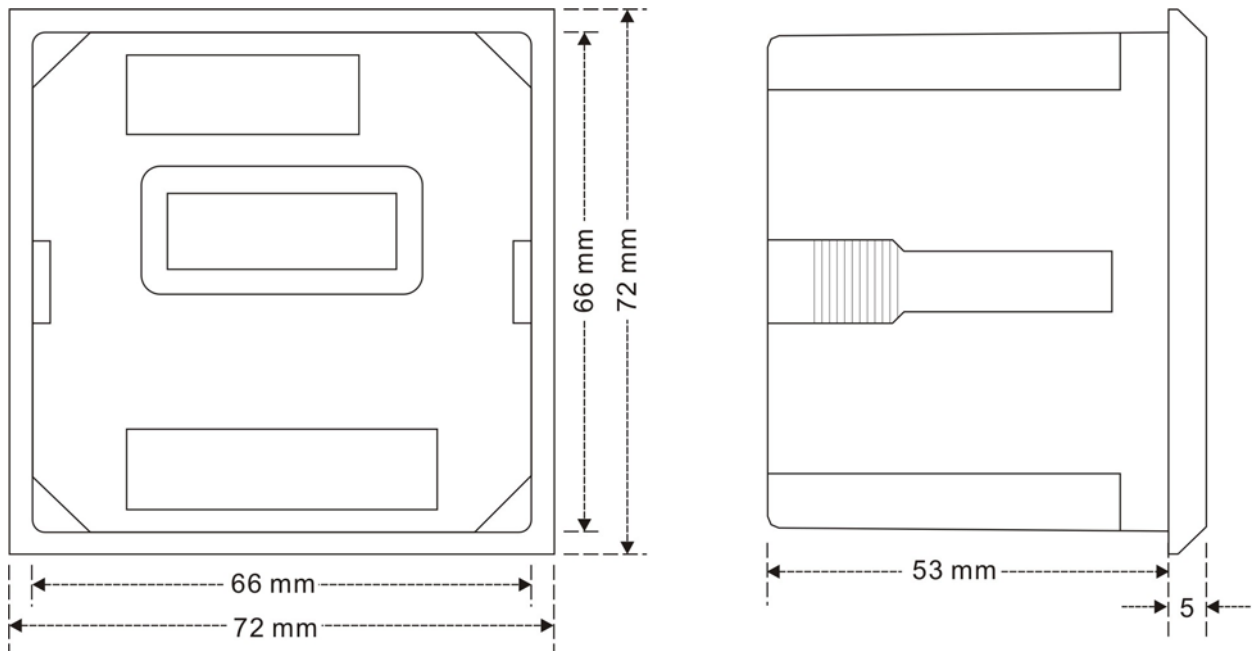
### **Ambient Temperature Range:**

-30 °C ~ 70 °C

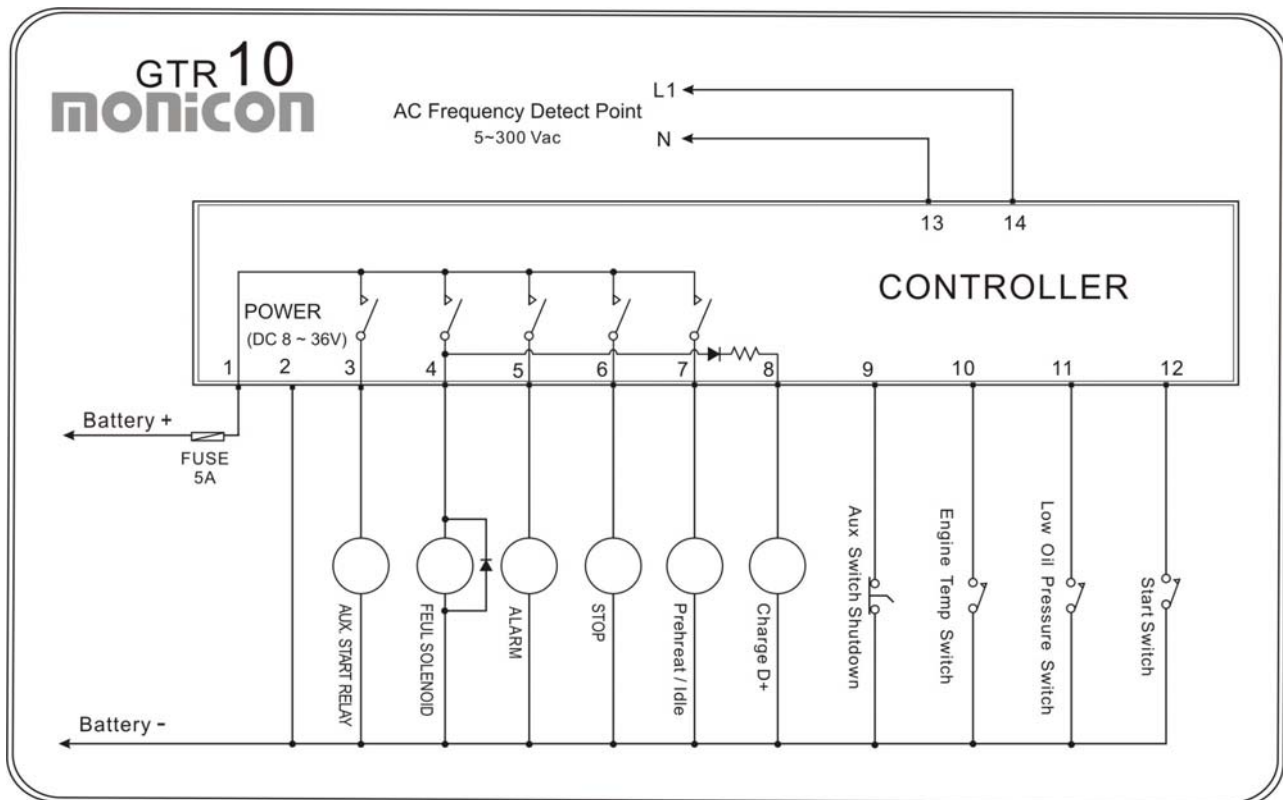
### **Weight:**

160g (0.35 lb)

## Dimension



## TYPICAL CONNECTIONS



### Monicon Instruments Co., Ltd.

19F-1, No.631, Sec. 1, Chongde Rd., North District, Taichung City 404, Taiwan (R.O.C.)

TEL: 886-4-2238-0698 FAX: 886-4-2238-0891

Web Site: <http://www.monicon.com.tw>

E-mail: [sales@monicon.com.tw](mailto:sales@monicon.com.tw)