

# GTR-111

## GENERATOR CONTROL MODULE



### Features

- Manual / Automatic start
- Generator monitor and protection
- Back-lit graphical LCD display
- Programmable front panel
- Data display: frequency, battery voltage, operating time
- Input configurable in NO/NC mode
- Three configurable auxiliary outputs
- Programmable front panel
- Wide acceptable working voltage 8~36V
- Pluggable Euro type terminal block wiring for quick (un)installation
- Low power consumption 100 mA@12V; 50 mA@24V

### Protecting functions

- Emergency stop: delay 0.2 sec/action: stop
- Low battery voltage: delay 5 sec/action: warning
- Speeding: delay 2 sec/action: stop
- High water temp: delay 2 sec/action: stop
- Low oil pressure: delay 2 sec/action: stop
- Cranking time: 10 sec.
- Crank disconnect: 0.5 sec./16 Hz
- Low frequency: 6 sec.

### Introduction

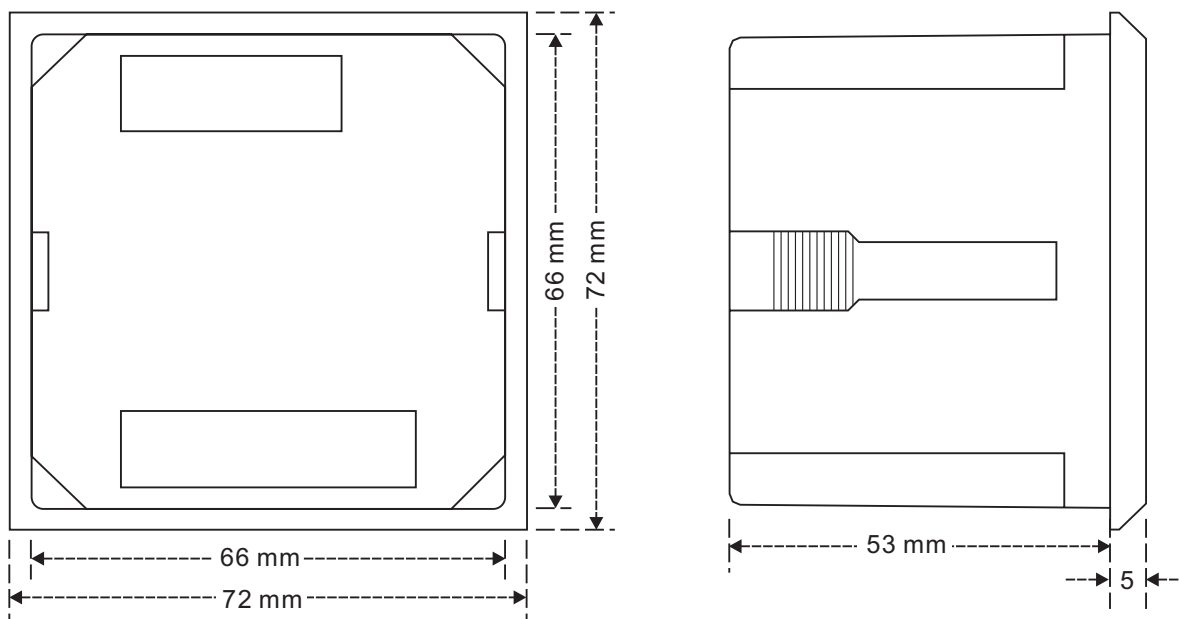
GTR111 is a compact, reasonable pricing range controller module, consist of manual/auto start and stopping; protect and warning alert function. Graphical LCD interface clearly displays the system; capable of monitoring speeding, high temperature, low oil pressure, over crank, emergency brake, Low frequency, low battery and Aux. Input 1 . The controller has frequency, battery voltage, operating timing display and RPM value built-in, lowering packaging cost. It's a high performance, low cost remote control module.

The controller uses traditional relay output, which allows higher voltage output. It uses pushbuttons to switch on/off the power generator, parameters can be configured directly through the panel, suiting all different kinds of system requirement, gives more flexibility to the end-user. It also uses EURO type quick install/uninstall terminal connector, offers you with great convenience.

### Specification

- **DC Supply**  
8~36 V (DC)
- **Power consumption**  
Max. 5 W, 100 mA@12 V; 50 mA@ 24V
- **Measuring Frequency**  
Min AC volt: 5V  
Range : 0~80 Hz
- **Measuring DC voltage**  
Range : 10~31 V
- **Relay output**  
5 A/30 V
- **Ambient Temperature Range**  
-30°C~70°C
- **Dimension (W\*H\*D)**  
72 mm x 72 mm x 58 mm
- **Panel cut-out (W\*H)**  
68 mm x 68 mm
- **Weight**  
175 g(0.38 lb)

Dimension



Typical connections

