

DESCRIPTION

The module GTR 18 is a high quality Generator controller equipped with external switch functions, protections, alarm and annunciation etc.. Monitoring and protections include: Running, Over Speed, High Water Temperature, Low Oil Pressure, Emergency Stop, and Low Battery.

All outputs function executed by a set of traditional relays which make it possible to support heavy power handling capability. It designed to control engine by a external switch. Whole functions according your settings via Dip switch. Besides, the GTR-18 applied with a high security continental terminal connector that provides easy plug-in and removal.

Panel

◆ LED

- Emergency/ Auxiliary Shutdown
- Low Battery Warning
- Over Speed Shutdown
- High Water Temperature Shutdown
- Low Oil Pressure Shutdown
- Run
- Power

Dip switch settings function

1. Pin1 & pin2: Valve on stop engine delay

Pin1	Pin2	Valve on stop engine delay
OFF	OFF	5 sec.
ON	OFF	10 sec.
OFF	ON	15 sec.
ON	ON	20 sec.

2. Pin3: System frequency ON : 50 Hz
 OFF: 60 Hz
3. Pin4: Escape motor by oil pressure switch
 ON : Enable
 OFF: Disable
4. Pin5: Pressure switch type ON : Normal Open
 OFF: Normal Close
5. Pin6: Idle / Pre-heat output delay time
 Idle delay time ON : 120 sec.
 OFF: 10 sec.
 Pre-heat delay time ON : 10 sec.
 OFF: 1 sec.
6. Pin7: Low DC Volt ON : 10.5 Volt.
 OFF: 21 Volt.



7. Pin8 & pin9: Cooling time

Pin8	Pin9	Cooling time
OFF	OFF	0 sec
ON	OFF	60 sec
OFF	ON	150 sec
ON	ON	300 sec

8. Pin 10: Idle / Pre-heat Function Select

ON : Idle
OFF: Pre-heat

Protections and parameters

- ◆ Auxiliary shutdown protection: 1 sec., N.C
- ◆ Low battery warning: 5sec., 10.5 / 21 VDC
- ◆ Over speed protection: 2sec., 55/66 Hz
- ◆ High water temp. protection: 2 sec., N.O
- ◆ Low oil press. Protection: 2 sec., N.C/N.O
- ◆ Cranking speed up limited: 0.5sec., 16 Hz
- ◆ Protection hold-off timer: 5 sec.

Specifications

DC Supply:

DC 8~36 V

Power consumption:

Max: 5 W

Measuring Frequency:

0~80 Hz (Min AC. Volt: 5 V. Max AC Volt: 300 V)

Relay Output:

Start output : 5A
Valve output : 5A
Idle / Pre-heat output : 5A
Alarm output : 5A
Stop output : 5A

Dimension (W*H*D):

72 mm × 72 mm × 58 mm

Panel cut-out (W*H):

68 mm × 68 mm

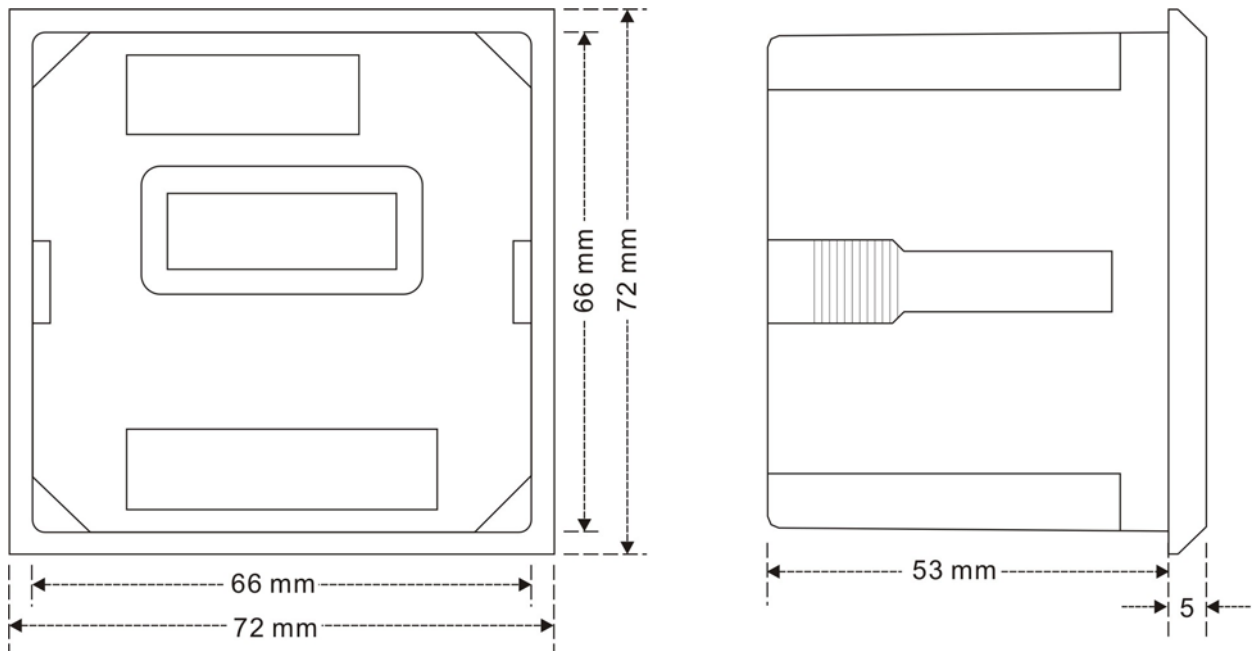
Ambient Temperature Range:

-30 °C ~ 70 °C

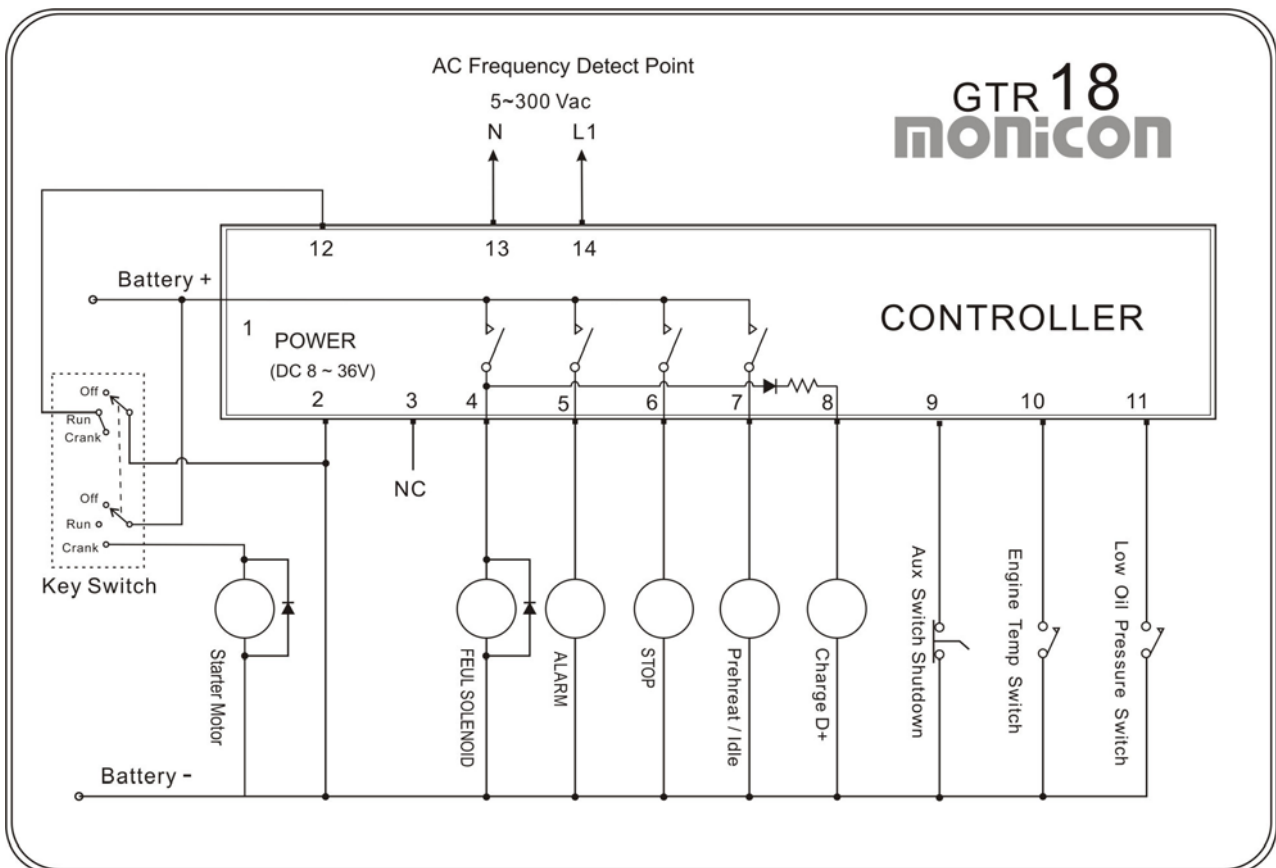
Weight:

192 g (0.42 lb)

Dimension



TYPICAL CONNECTIONS



Monicon Instruments Co., Ltd.

19F-1, No.631, Sec. 1, Chongde Rd., North District, Taichung City 404, Taiwan (R.O.C.)

TEL: 886-4-2238-0698 FAX: 886-4-2238-0891

Web Site: <http://www.monicon.com.tw>

E-mail: sales@monicon.com.tw