

# GTR-22

## Generator controller



### Features

- Applies micro processing platform design.
- Auto start & stop generator.
- LCD graphical display to indicate the status.
- LCD with 2 back-lit, clearly display the system status.
- Parameter Indication : Generator voltage, current, coolant temperature, oil pressure, running hour, frequency and battery voltage.
- Input switch signal can be set in NO/NC mode.
- Programmable front panel
- Broad voltage working range 8~36VDC
- Pluggable Euro type terminal block wiring for quick installation

### Relay Output Function

- Starter motor
- Fuel valve
- Electrical trip
- Warning
- Charging excitation
- Energize to stop
- Close generator pulse
- Preheat
- Idle

### Introduction

GTR-22 is one of the most robust, digitized generator controller, capable of giving instant indication and error messages from the generator, capable of monitoring and stopping the generator when error occurs and give symbol indication accordingly, with red back-lit, which allows user to easily distinguish from the symbol indicator's light and the back-lit, make it easier for error control. Built-in parameters can be adjusted via setup mode, to adapt all different type of gen-sets.

### Indication capability

- AC voltage
- AC current
- Battery voltage value
- AC frequency value
- Coolant Temperature value
- Lubricant oil pressure value

### Protections

- Emergency stop
- Low battery voltage
- Over speed
- High water Temperature
- Low oil pressure
- Over crank
- Low water level
- Low fuel level

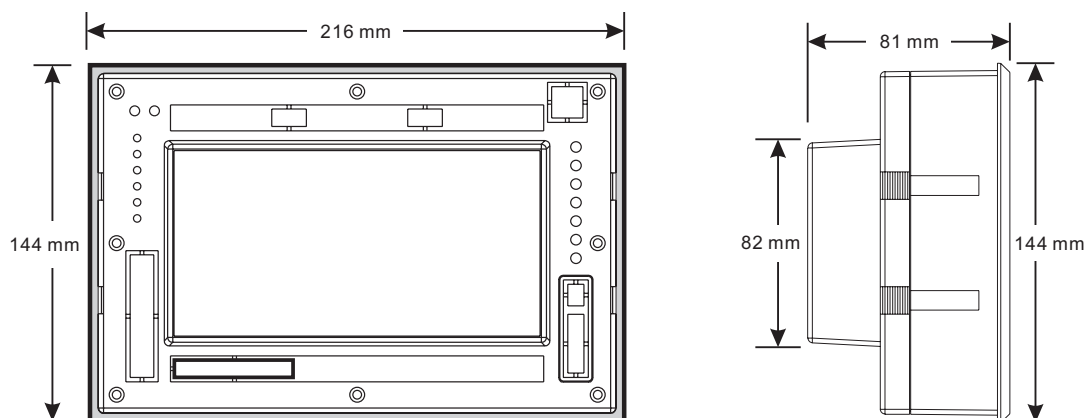
### Input signal

- High water temperature switch
- Low oil pressure switch
- ATS switch
- Emergency stop
- Low water level
- Low fuel level

## Specification

- DC Input  
8~36V (DC)
- Measuring Frequency  
Rated Min. voltage : 5V  
Rated range : 0~80 Hz, 1%
- DC Voltmeter  
Rated range : 10~32 V, 1%
- AC Voltmeter  
Rated range : 0~500 V, 0.5 %
- AC Ammeter  
Rated range : C/T 0~5 A, 0.5 %
- Power Consumption  
Max. 5 W, 400mA@12V;200mA@24V
- Relay output  
6 A/30 V
- Working Temperature  
-30°C~60°C
- Storage Temperature  
-40°C~70°C
- Dimension  
216 mm x 144 mm x 81 mm
- Panel cut-out (W\*H)  
210 mm x 138 mm

## Dimension



## Wiring

